

TCMC1006 Series (Rev. 1.0)



Features

- * Common Mode Filter for high Current Capacity
- * Fit for power line & signal line circuit
- * To help you go pass the CE/FCC standard
- * Lower cost

Product Identification

TCMC 1006 - 471 Y
 1 2 3 4

1. Product Code
2. Size Code
3. Inductance: 470uH
4. Tolerance: Y=±40%

Applications

- * Mobile Device
- * Handheld Device
- * LowProfile Device, LCD.

Operating & Storage Condition

- * Operating Temp :Stand Type:-20 to +80°C
- * Storage Life Time:12 months @25°C, RH 65%
- * Storage Temp : Stand Type -20 to +40°C

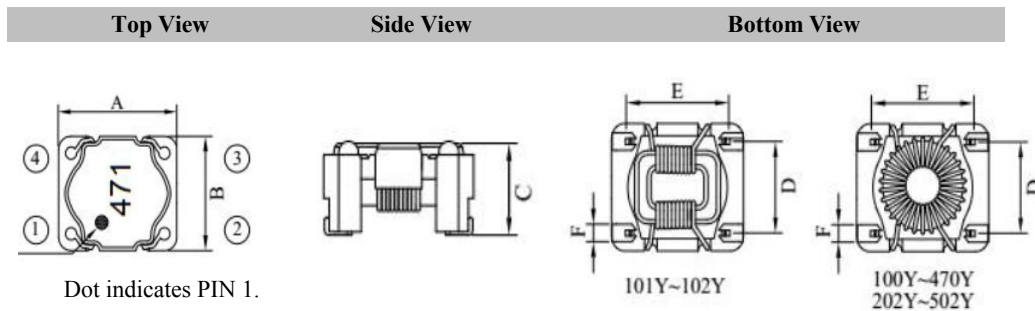
Test Equipment

- * HP4284A,HP42841A-L,IDC,Q,RDC
- * HP8753D NETWORK ANALYZER-SRF

Standard Atmospheric Conditions

- * Ambient Temp : 20+/-15°C
- * Relative Humidity : 65+/-20%

Dimension & Recommended Pad Layout: [mm]



Size Code	A(±0.5)	B(±0.3)	C(max.)	D(±0.2)	E(±0.2)	F(ref.)	G(ref.)	H(ref.)	I(ref.)	J(ref.)
1006	10.0	8.7	6.5	6.2	7.6	1.4	2.7	11.5	9.0	2.7



TCMC1006 Series (Rev. 1.0)

Electrical Characteristics

Part No.	Inductance Pin(1-2) & (4-3) (uH)	DCR Pin(1-2) & (4-3) (mΩ) max.	Hi-pot (VAC) 3mA/1S	Impedance (Ω) min.	IDC (A) max.	Freq. Range (MHz)
TCMC1006-100Y	10	30	600	100	4.0	10~300
TCMC1006-220Y	22	35	600	300	3.8	10~200
TCMC1006-470Y	47	40	600	800	3.2	10~100
TCMC1006-101Y	100	25	1000	100	3.0	10~300
TCMC1006-121Y	120	25	1000	200	2.5	10~200
TCMC1006-221Y	220	32	1000	350	2.2	7~150
TCMC1006-251Y	250	35	1000	400	2.0	5~100
TCMC1006-471Y	470	65	1000	900	1.6	2~40
TCMC1006-501Y	500	70	1000	800	1.5	2~50
TCMC1006-102Y	1000	180	1000	1400	1.0	1~40
TCMC1006-202Y	2000	270	300	2000	0.8	0.5~15
TCMC1006-222Y	2200	300	300	3400	0.8	1~11
TCMC1006-302Y	3000	330	300	3000	0.7	0.5~10
TCMC1006-332Y	3300	360	300	4400	0.7	0.9~7
TCMC1006-392Y	3900	540	300	5000	0.5	0.7~6
TCMC1006-402Y	4000	600	300	4000	0.5	0.5~5
TCMC1006-472Y	4700	720	300	6200	0.4	0.6~3
TCMC1006-502Y	5000	780	300	5000	0.3	0.5~3

* Test Condition: @100KHz/0.1V (Ambient temperature: 25°C)

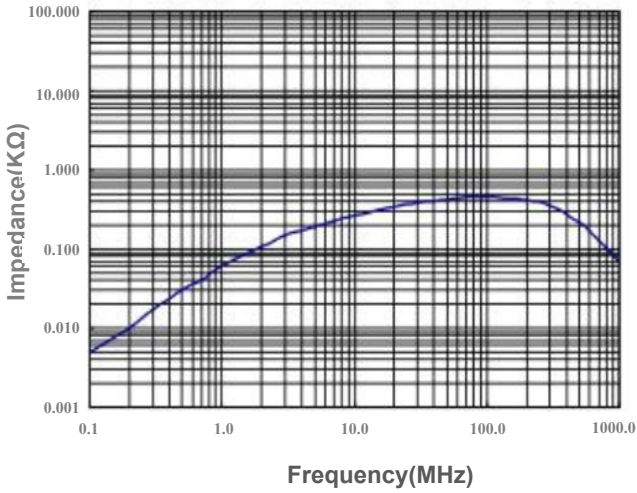
* IDC: The actual value of D.C. current when the temperature rise is $\Delta t=40^{\circ}\text{C}$ ($T_a=20^{\circ}\text{C}$).

* Tolerance: Y= $\pm 40\%$

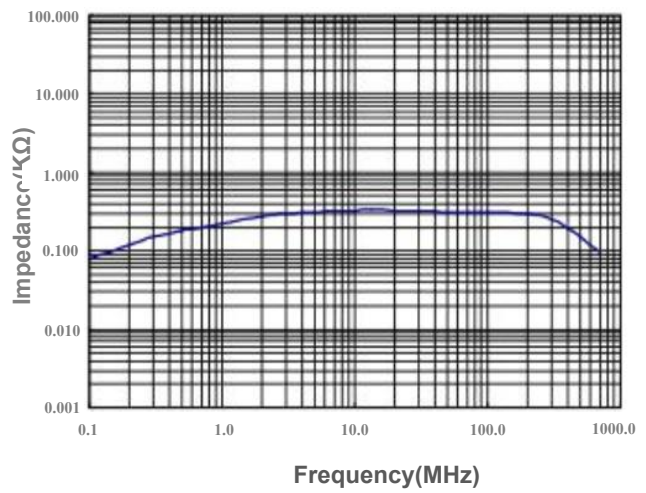


TCMC1006 Series (Rev. 1.0)
CHARACTERISTICS(REFERENCE)

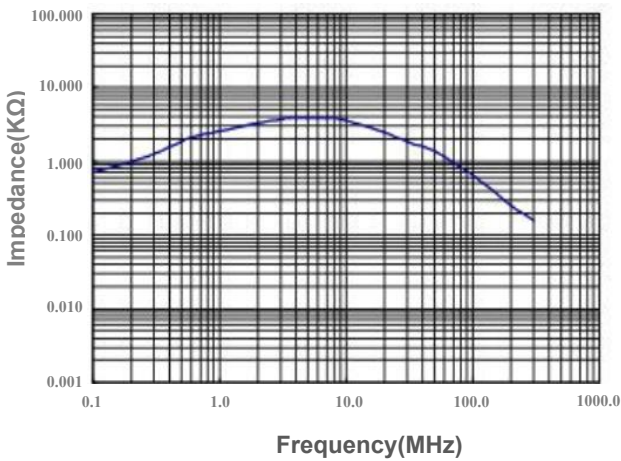
1006-100Y



1006-101Y



1006-102Y



1006-502Y

